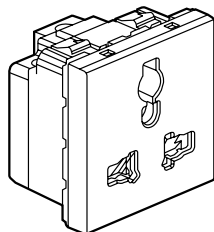


Arteor™ Multistandard socket

Cat. No(s): 572 123 - 572 623



1. USE

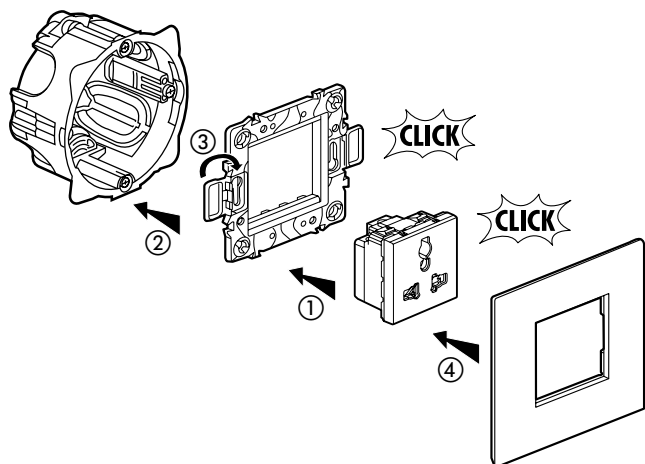
Socket outlets for different international standards: Euro, US, India, China, British standard.

2. RANGE

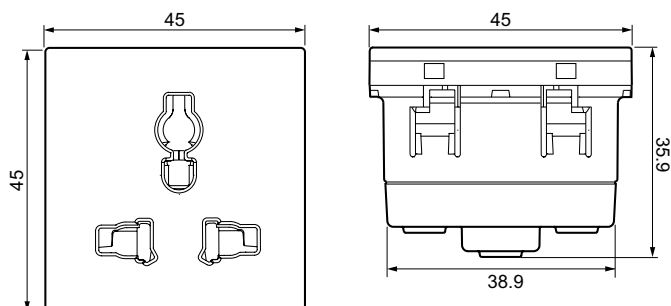
	Designation	Finishes		No. of modules	Connection method	Weight (g)
		White	Magnesium			
	Multistandard socket	572 123	572 623	2	With screws	52.7

3. PREPARATION

The mechanisms can be flush-mounted or surface-mounted.



4. OVERALL DIMENSIONS



5. CONNECTION

Capacity: 2 x 2.5 mm²
Stripping: 8 mm
Screwdriver: flat plate 4 mm

6. OPERATION

Standard operation by insertion or withdrawal of a plug to normalized standard.

7. TECHNICAL CHARACTERISTICS

7.1 Mechanical characteristics

Impact tests: IK 04
Penetration by solid bodies/liquid: IP 20

7.2 Material characteristics

Base: Polycarbonate
Cover: Polycarbonate

7.3 Electrical characteristics

Voltage	Current
250 V	5 - 6 - 10 - 13 A
127 V	15 A

Self-extinguishing: 650° C / 30 s.

7.4 Climatic characteristics

Storage temperature: - 10° C to + 70° C
Operating temperature: - 5° C to + 50° C

Multistandard socket

8. CLEANING

Surface cleaning with a cloth

Do not use: acetone, tar remover, trichloroethylene

Resistance to the following cleaning agents:

Hexane (EN 60669-1), Methylated spirits, Soapy water, Diluted ammonia, Diluted pure bleach 10%, Glass cleaning substance, Pre-impregnated wipes.

Caution: A preliminary test should be carried out if other specific cleaning products are to be used.

9. CONFORMITY - APPROVALS

Approvals in process: IECEE / PAI / SABS.